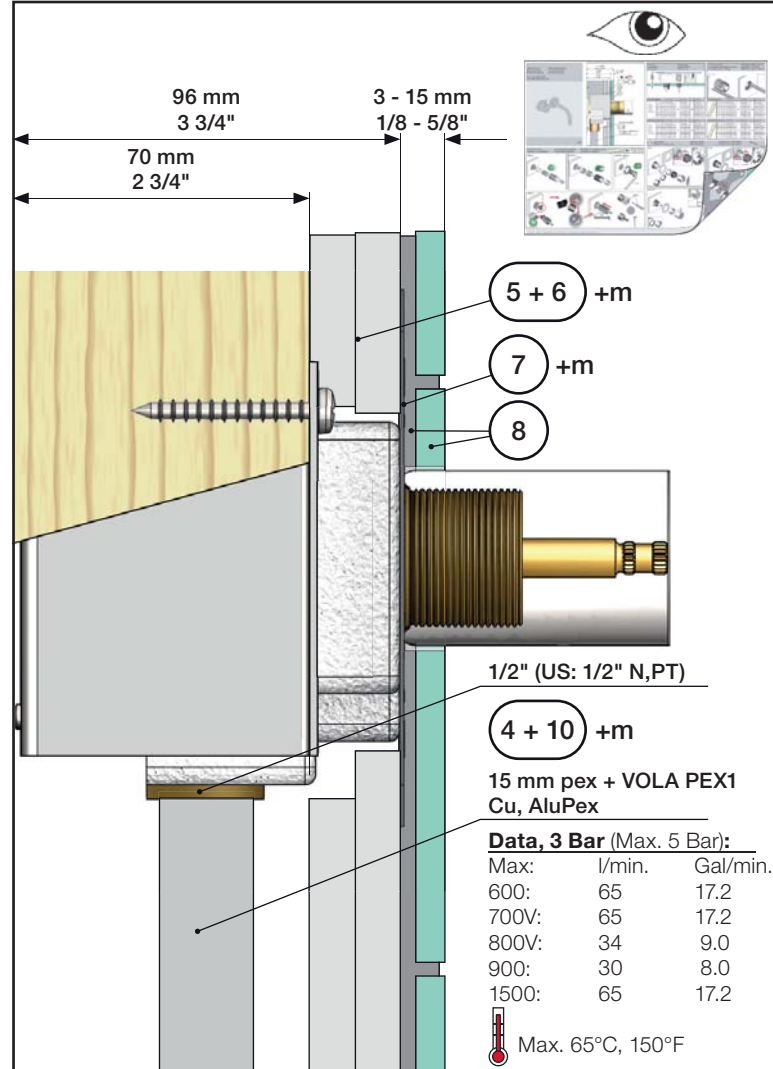
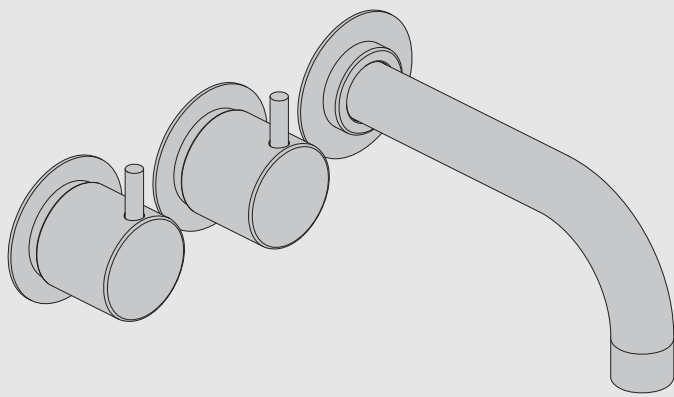


VOLA 600, 700, 700V, 900, 1500
 VOLA 800, 800V, 800N, 800NV, 800T, 800TV
 VOLA S20V, S40V

Fitting instruction
 Montageanleitung
 Monteringsvejledning

Monteringsvægledning
 Montage hanleiding
 Manuel de montage



VA 1.42/19069, VA 1.42/19822, VA 1.42/19823,
 VA 1.42/19827, VA 1.42/19828

www.vola.com

vola

Extension
 Verlängerung
 Forlængerdele

Förlängning
 Verlengstücken
 Modification

VR697
 VR698

600, 700V, 800V: 2xVR697
 1500: 1xVR697+1xVR698
 900: 1xVR697

	VR697:	VR1400:	VR2019:
Tiles:	3 - 15 mm Standard	Standard	Standard
Fliesen:	15 - 25 mm VR697+10	VR1400+10	VR2019+10
Fliser:	25 - 35 mm VR697+20	VR1400+20	VR2019+20
Fliser:	35 - 45 mm VR697+30	VR1400+30	VR2019+30
Tegels:	45 - 55 mm VR697+40	VR1400+40	VR2019+40
Carreaux:	55 - 65 mm VR697+50	VR1400+50	VR2019+50

Extension, retrofit
 Verlängerung, nachträglicher Einbau
 Forlængerdele, eftermontering

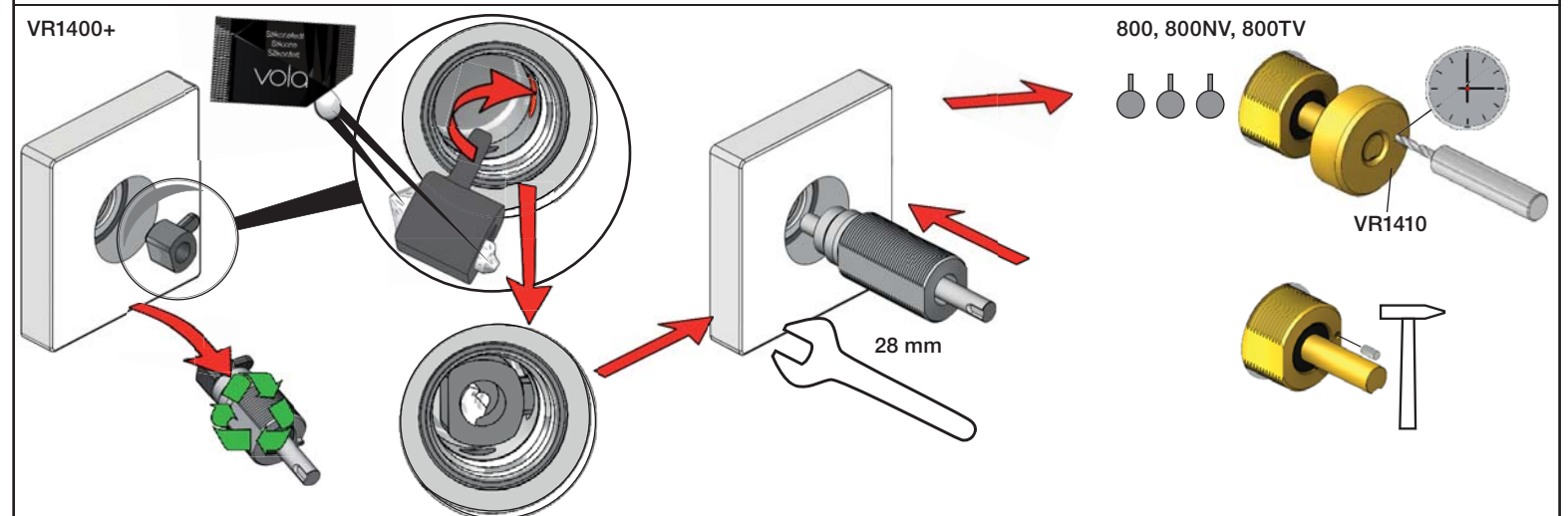
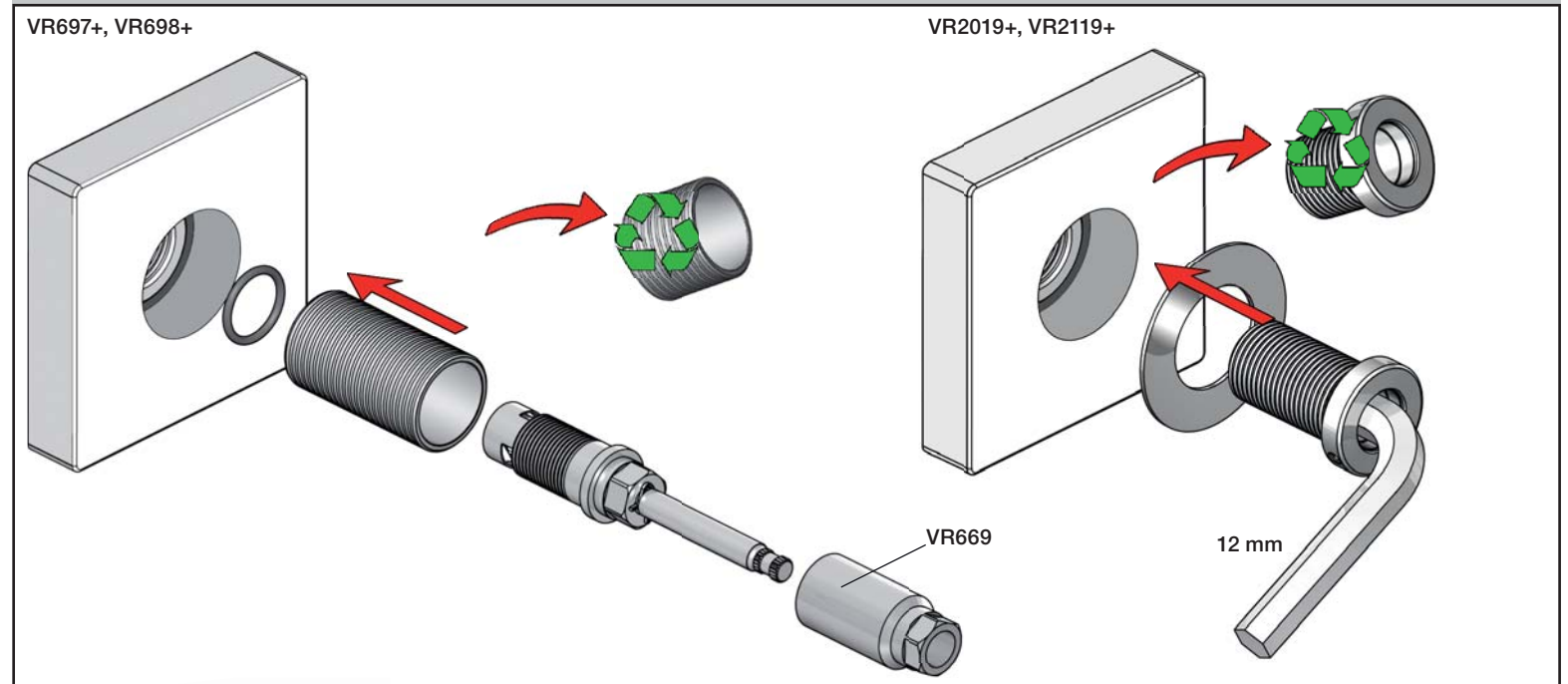
Förlängning, eftermontering
 Anpassing na montage
 Modification après installation

	VR697:	VR1400:	VR2019:
39 - 54 mm	Standard	Standard	Standard
29 - 39 mm	VR697+10	VR1400+10	VR2019+10
19 - 29 mm	VR697+20	VR1400+20	VR2019+20
9 - 19 mm	VR697+30	VR1400+30	VR2019+30
9 - (-1) mm	VR697+40	VR1400+40	VR2019+40
-1 - (-11) mm	VR697+50	VR1400+50	VR2019+50

Fitting of extension
 Montage von verlängerung

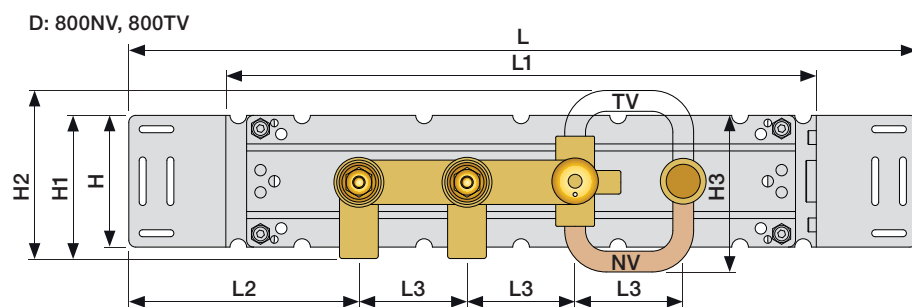
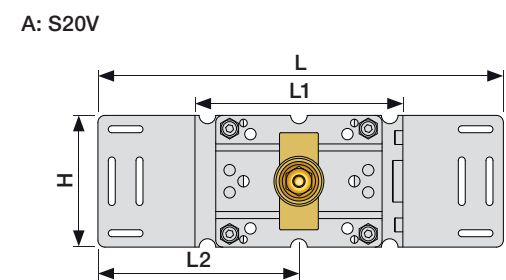
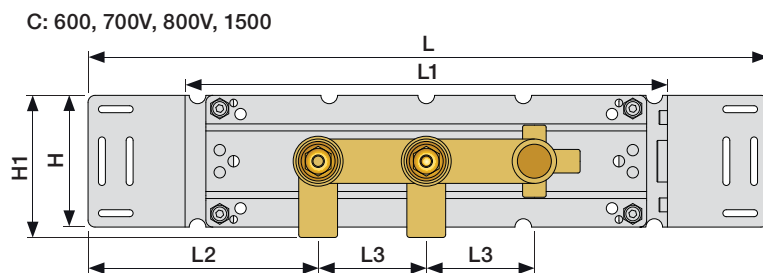
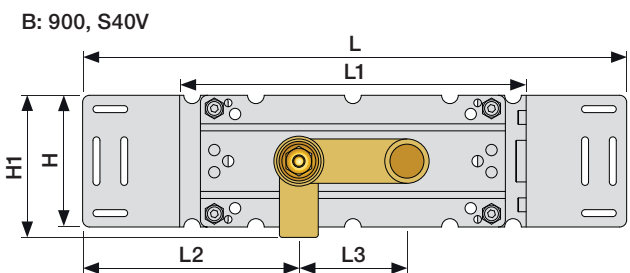
Montering af forlængerdele
 Montering av förlängning

Montage van de verlengstukken
 Montage des rallonges

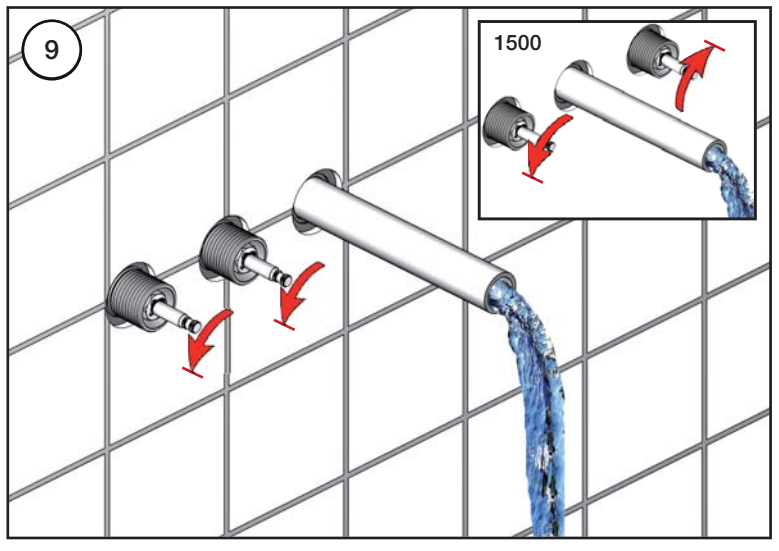
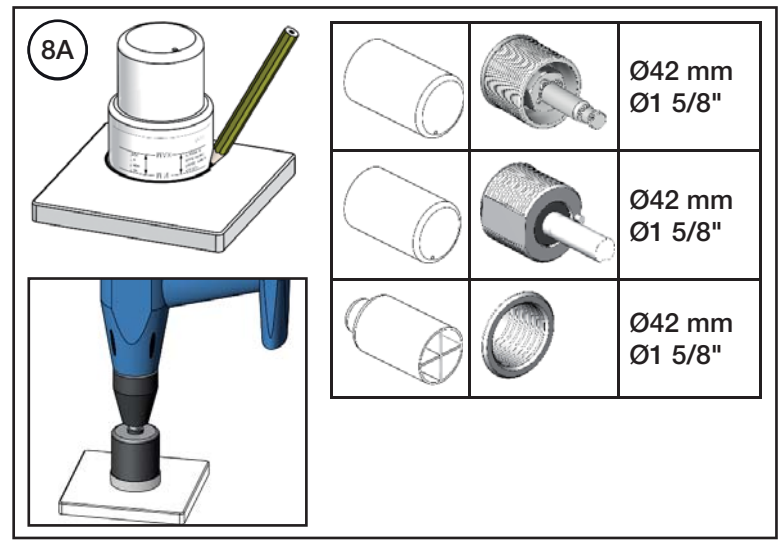
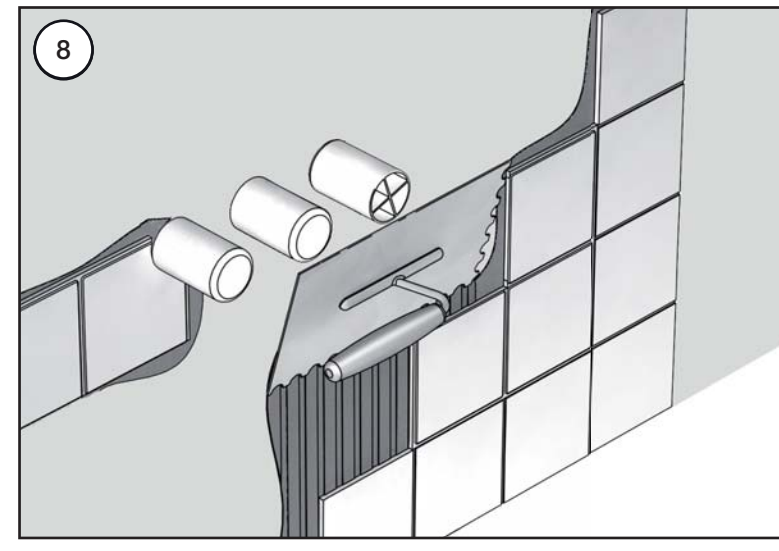
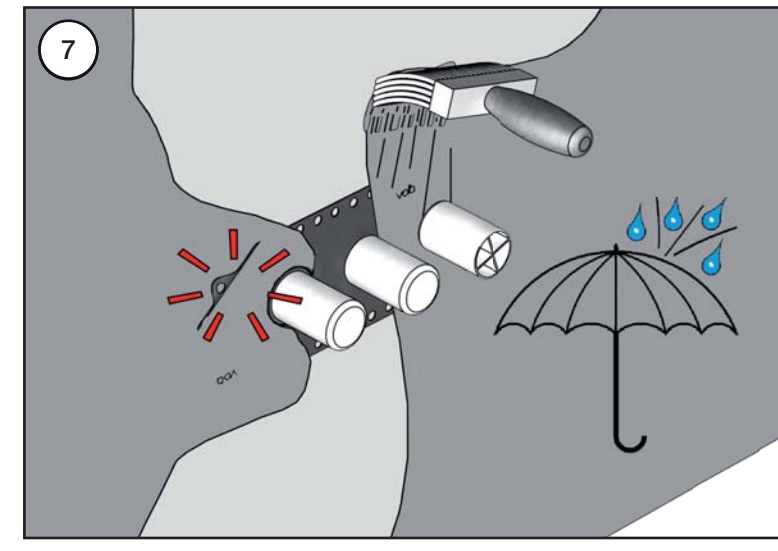
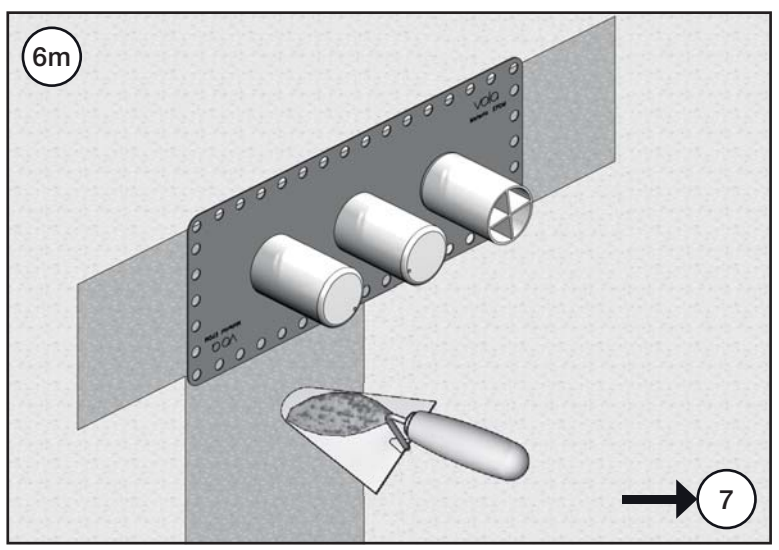
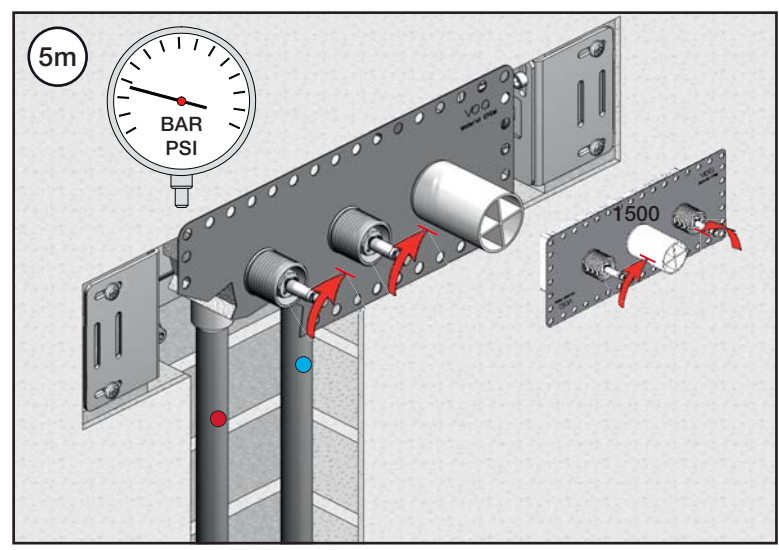
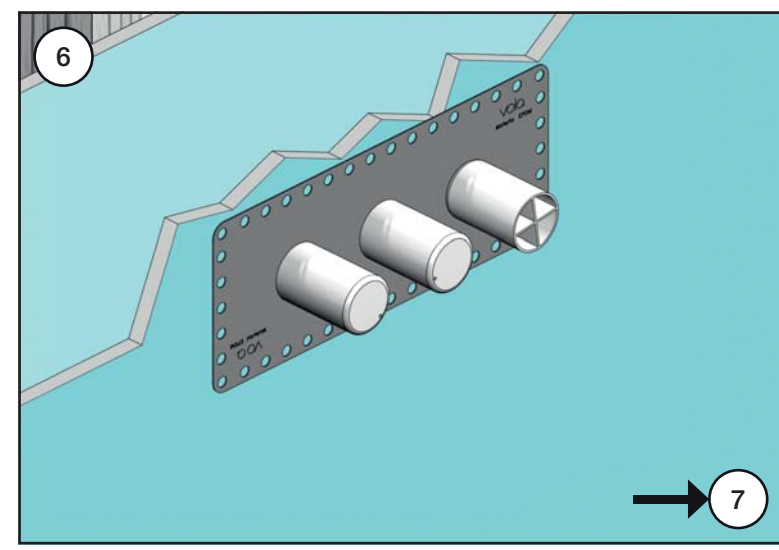
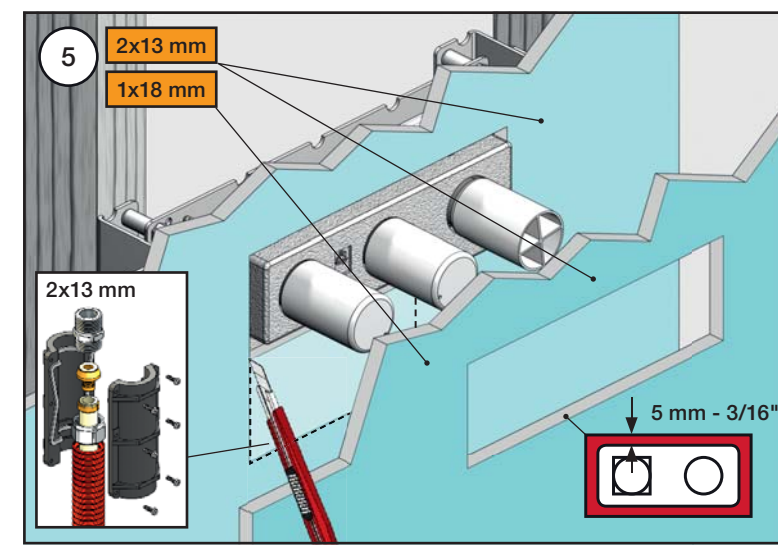
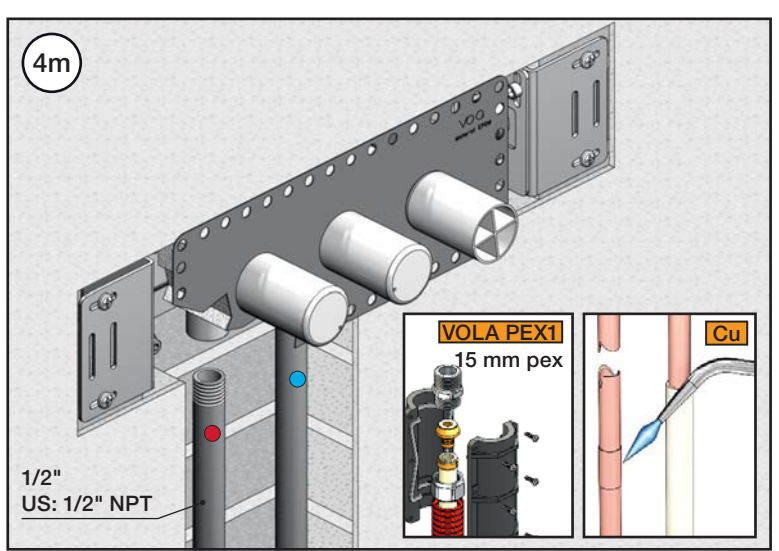
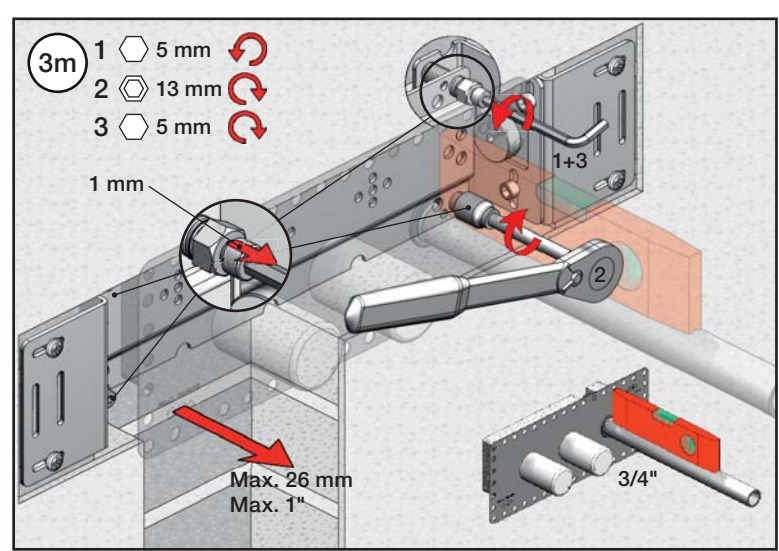
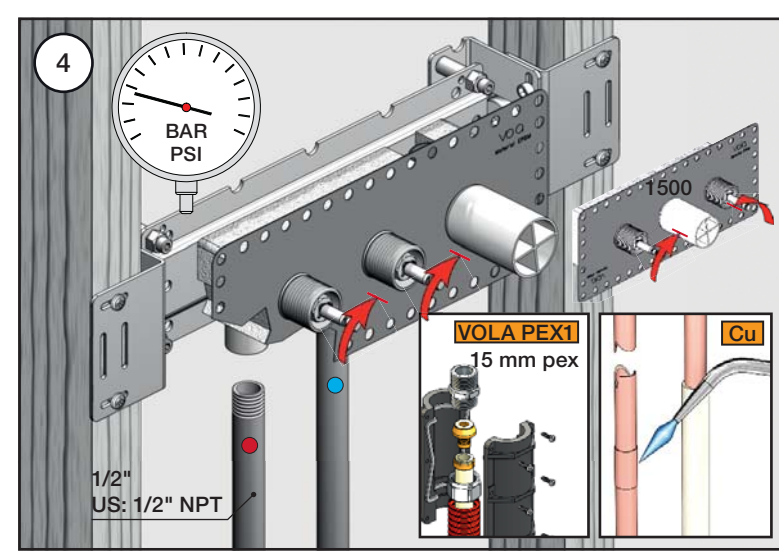
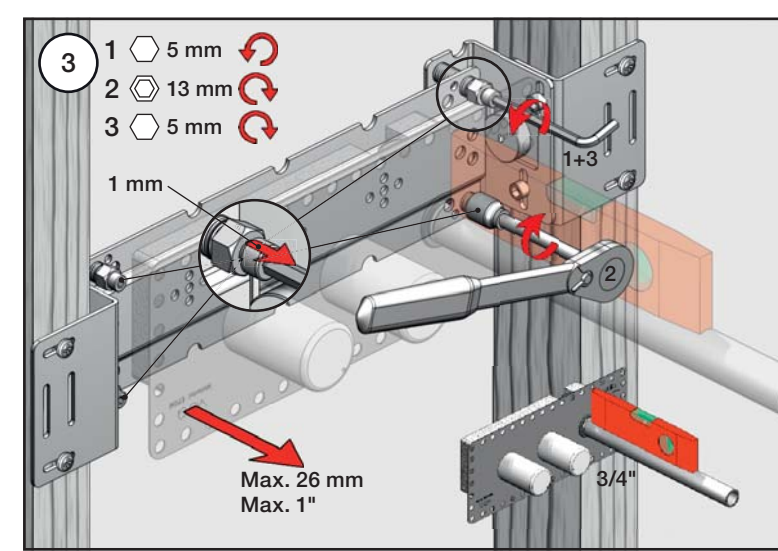
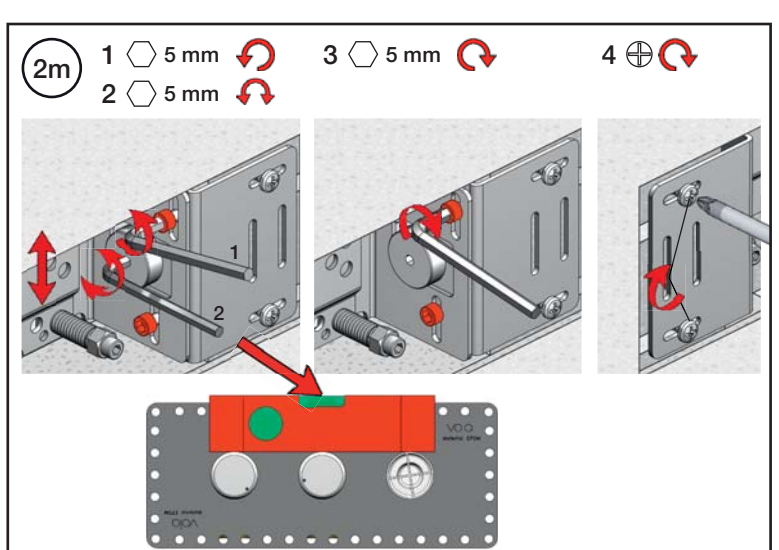
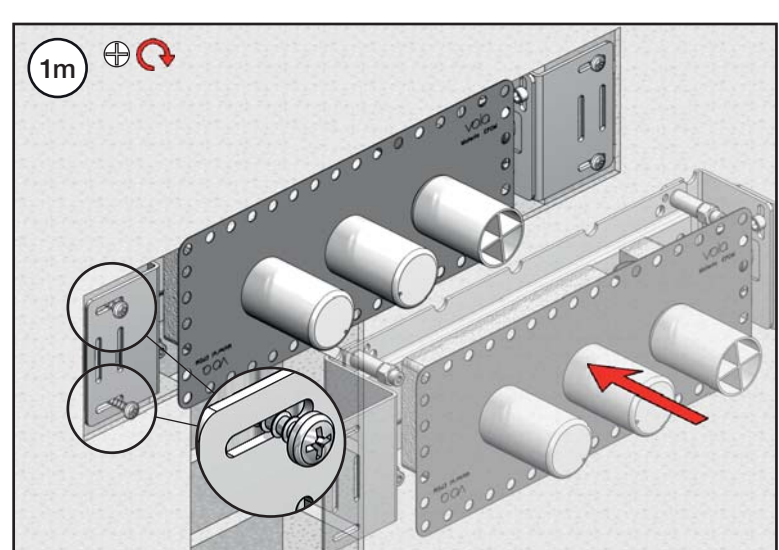
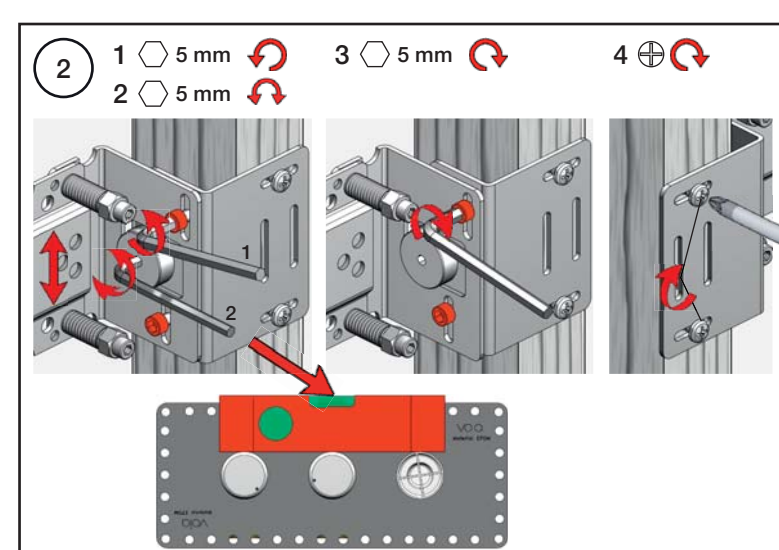
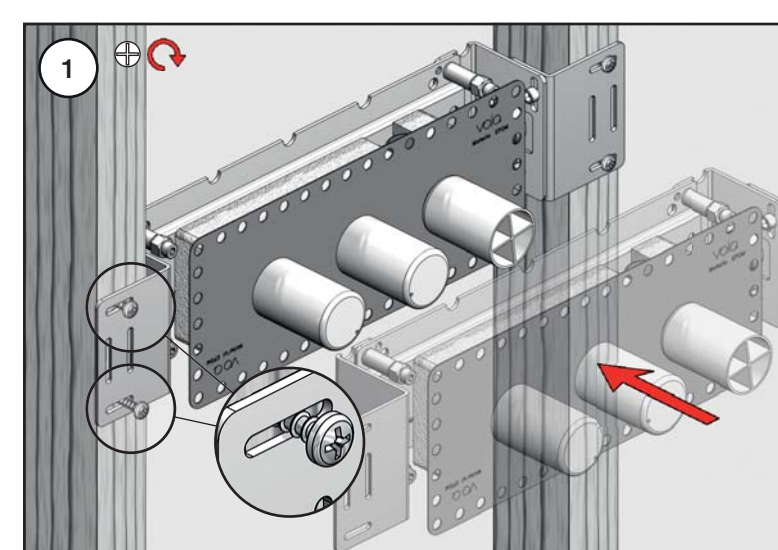


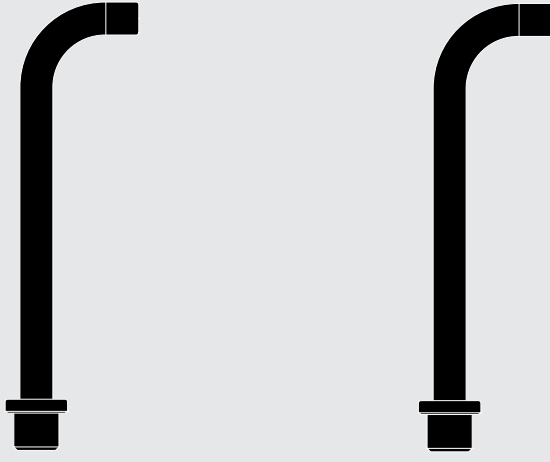
700: 700V + 200M
 800: 800V + 2 x 200M
 800N: 800NV + 200M
 800T: 800TV + 200M

	L	L1	L2	L3	H	H1	H2	H3
A	295 mm 11 1/2"	160 mm 6 1/2"	145 mm 5 3/4"	-	95 mm 3 3/4"	103 mm 4"	-	-
B	395 mm 15 1/2"	260 mm 10"	156 mm 6 1/8"	-			-	-
C	490 mm 19 1/2"	355 mm 14"	166 mm 6 1/2"	78 mm 3 1/16"			-	-
D	570 mm 23"	435 mm 17"	-	-			122 mm 4 3/4"	113 mm 4 1/2"



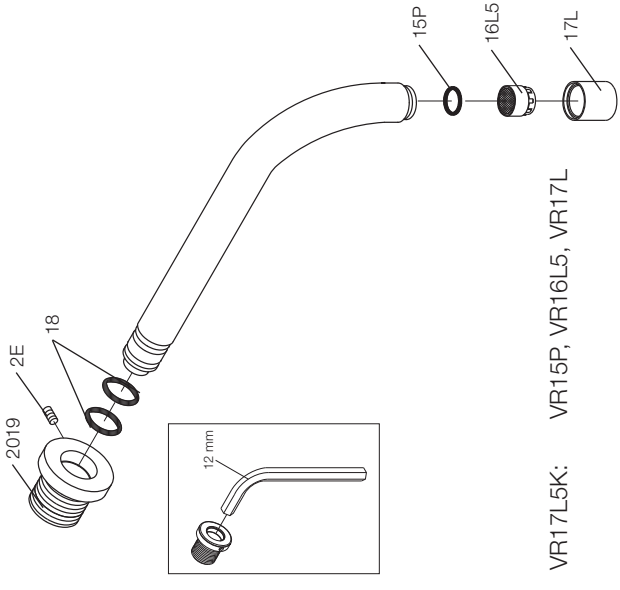
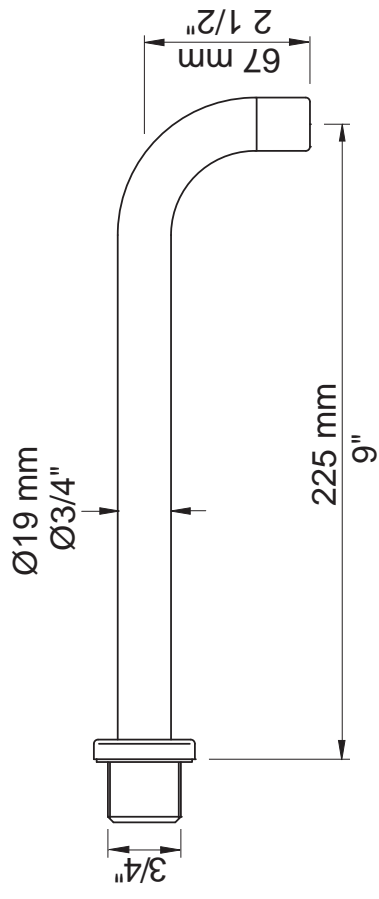
600-1500_V2 40999852





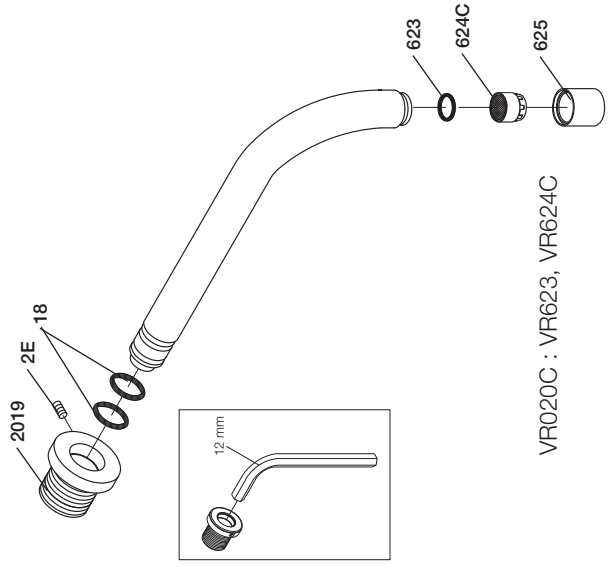
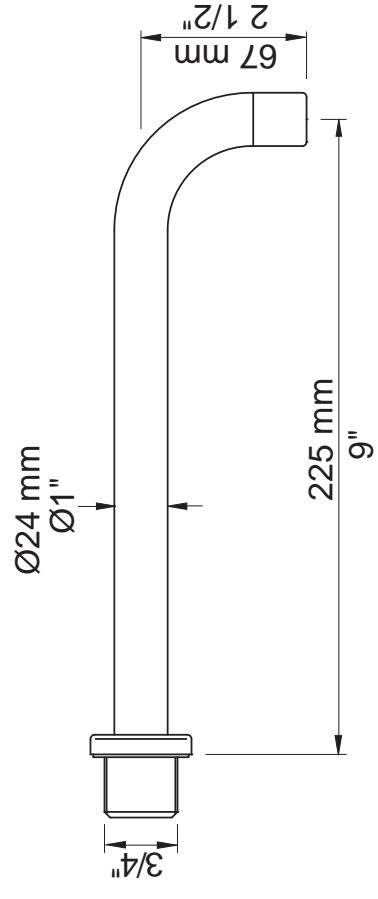
- AUSTRALIA**
dedece
263 Liverpool Street
Darlinghurst
NSW 2010 Sydney
Tel: 2 9360 2722
Fax: 2 9356 4042
info@dedece.com
www.dedece.com
- BELGIË**
VOLA bvba
Valkenburgerstraat 23
1011 MG Amsterdam
Tel: 03 440 46 19
Fax: 03 448 22 04
sales@vola.be
www.vola.be
- CANADA**
Ginger's Bath
95 Ronald Ave.
Toronto, Ontario
M6B 4L9
Tel: 416-787-1787
Fax: 416-787-1748
gingers@gingersbath.com
www.sate.com
- CHINA**
Badeluxe Trading Limited
Unit D4, Basement 3
COFCO Plaza
No. 8 Jian Guo Men Nai Avenue
Dong Cheng District
Beijing 100005 China
Tel: (86) 010 6526 1363
Fax: (86) 010 6526 1373
info@badeluxe.com
- DENMARK**
VOLA A/S
Lunavej 2
8700 Horsens
Tel: + 45 70 23 55 00
Fax: + 45 70 23 55 11
sales@vola.dk
www.vola.dk
- DEUTSCHLAND**
VOLA GmbH
Schwanthaler Straße 75A
80336 München
Tel: 089/599959-0
Fax: 089/599959-90
vola@vola.de
www.vola.de
- ESPAÑA**
Dimensio Espai Europeu S.L.
Carrer del Pallars, 6 - 4ª 1ª
E-08402 Granollers, Barcelona
Tel: 0034 972 105 535
Fax: 0034 93 844 4071
icomico@comitico.es
- ESTONIA**
Hals Interiors OÜ
Kadaka tee 42H
12915 Tallinn
Tel: 71 514 10
Fax: 71 514 11
hals@hals.ee
www.hals.ee
- FRANCE**
sopha industries
44, rue Blanche
75009 Paris
Tel: 01 42 81 25 85
Fax: 01 40 16 45 18
sopha@sopha.fr
www.sopha.fr
- GREAT BRITAIN**
VOLA UK Ltd.
Unit 12, Anphill Business Park
Station Road, Anphill
Bedfordshire MK45 2QW
Tel: 01525 64 11 65
Fax: 01525 64 11 77
sales@vola.co.uk
www.vola.co.uk
- HELLAS**
moda bagno s.a.
50 Anapiraseos Street
Vilassia 15 235, Athens
Tel: 210 8036700
Fax: 210 8049408
Tel: 210 804688
info@modabagno.gr
www.modabagno.gr
- HONG KONG**
portfolio group limited
G/F 59 Elgin Street,
Central, Hong Kong
Tel: 28680765
Fax: 25247887
sales@pglid.com.hk
- H2O Pro Ltd.**
16/F First Commercial Building,
33 Leighton Road
Causeway Bay
Tel: 652 2691 6660
Fax: 652 2834 3029
info@h2opro.com.hk
www.ebon.com.hk
- ISLAND**
Tengi ehf.
Smidjuvegur 76
200 Kopavogur
Tel: 414-1000
Fax: 414-1001
www.tengils
- ITALIA**
RAPSEL Spa
Via Volta, 13
20019 Settimo Milanese (MI)
Tel: 02 33 53 981
Fax: 02 33501306
rapsel@rapsel.it
www.rapsel.it
- KOREA**
E.L. System Co. Ltd.
Jaeinyoung B/D
883-12
Bangbae 1dong
Seocho-Gu
Seoul
Tel: 82-2-598-4517
Fax: 82-2-521-3786
- KYPRIAKI DIMOKRATIA**
icomico@comitico.es
3, Gregorinou Karekla str.
Strovolos
P.O. Box 21703
1512 Nicosia
Tel: 22 813 200
Fax: 22 424 803
info@iikka.com.cy
- LATVIA**
Hals Trading Ltd.
Antenas str. 3
1004, Riga
Tel: 7629561
Fax: 01 40 16 45 18
info@hals trading.lv
www.hals.ee
- LEBANON**
Geatchan Group
Sin El Fil
Geatchan Building
Bedfordshire MK45 2QW
Beirut
Tel: 01 480 520
Fax: 01 496 607
info@geatchan group.com
www.geatchan group.com
- MEXICO**
Productos de Latón
de Alta Calidad SA de CV
General Juan Carro 27 1
San Miguel Chapultepec
MX-11850 México D.F.
Tel: 01800 2253946
Fax: 01659 2614 9312
placsa@comercial.com
www.gcdesi.biz/vola/vola.html
- NETHERLAND**
VOLA Sanitar BV
Valkenburgerstraat 23
1011 MG Amsterdam
Tel: 020 36 56 356
Fax: 020 36 56 482
info.nl@vola.com
www.vola.com
- NIPPON**
Cera Trading Co., Ltd
Juko BLDG.6F,
1-26-1 Minami-Aoyama,
Minato-Ku,
Tokyo 107-0062
Tel: 03-3796-6151
Fax: 03-3402-7185
cerat@mb.toto.co.jp
www.cera.co.jp
- Fuji Design Corporation**
3-15-14 Higashi-Ikebukuro
Toshima-Ku
Tokyo 170-0013
Tel: 03-3983-2251
Fax: 03-3988-8320
info@fujd.com
www.fujid.com
- NORGE**
shelby teknikk as
Strandgaten 55
4370 Eggersund
Tel: 51 46 18 00
Fax: 51 46 18 01
post@shelby.no
www.shelby.no
- ÖSTERREICH**
VOLA Vertriebs GmbH
Kandlgasse 19
1070 Wien
Tel: 01/526 39 71-0
Fax: 01/526 39 71-20
info@vola.at
www.vola.at
- RUSSIA**
TendENZA
UL. Solovanka 1/2-1
109028 Moscow
Tel: 624-13-12
Tel: 624-24-49
Fax: 624-10-50
www.tendENZA.ru
info@tendENZA.ru
- PORTUGAL**
CARVALHO, BATISTA & Ca. Sa.
Rua do Almada
29-79-89 - Apartado 4784
4013-001 Porto
Tel: 22 339 21 26 / 7 / 9
Fax: 22 205 96 11
carvalho@batsista@mail.telepac.pt
www.carvalho@batsista.pt
- SCHWEIZ**
VOLA AG
Müllistr. 18
8320 Fehraltorf
Tel: 044/965 18 18
Fax: 044/965 18 19
sales@vola.ch
www.vola.ch
- SLOVENIJA**
MODERNA d.o.o.
Peričeva 31
1000 Ljubljana
Tel: + 386 1 068 95 93
Tel: + 386 1 236 21 83
Fax: + 386 1 236 21 84
info@moderna.si
www.moderna.si
- SUOMI**
INNO-TUOTE OY
Main office and production
TÄHDENLÄNNONTIE 9
02240 ESPOO
Tel: (0) 9 6870 380
Fax: (0) 9 8870 3833
info@innorinter.fi
www.inno.fi
- SOUTH AFRICA**
Still the bathroom gallery
Unit 111A, The Foundry
74 Prestwich Str.
Green Point Cape Town
South Africa 8001
Tel: 021 421 9970/2
Fax: 021 421 9971
info@stillbathrooms.co.za
www.stillbathrooms.co.za
- SVERIGE**
VOLA ab
Ruddammsgatan 14, 2
S-803 20 Gävle
Tel: 026-140230
Fax: 026-140231
sales@vola.se
www.vola.se
- UNITED ARAB EMIRATES**
Sanipex LLC
Sheik Zayed Road
P.O. Box 30871
Dubai
Tel: 971 4 339 5660
Fax: 971 4 339 5671
www.sanipexdubai.com
- UNITED STATES**
Haslings Tile and Bath Collection
30 Commercial Street
Freeport, NY 11520
Tel: 516-379-3500
Tel: 800-351-0038
Fax: 516-223-8495
vola@haslings30.com
www.haslings30.com

VOLA 020



VR17L5K: VR15P, VR16L5, VR17L

VOLA 020C



VR020C : VR623, VR624C